

**ECOHOG**

## Razorback Starscreen

RBS-1200

The Ecohog Razorback Starscreen Box is available in both static or semi mobile options with a range of features. The screenbox is ideal for achieving an additional split to the primary screen. The unit can be supplied as hydraulic or electric.



### KEY FEATURES

- Semi mobile and stand-alone options available
- Optional speed-controlled feed in conveyor
- Changeable aperture to accommodate various material sizes
- Height adjustable
- Single screen deck with speed control
- Collection conveyor or bunker collection options available for fines
- Quick and easy set up
- Electric and hydraulic power options available

### SUITABLE FOR

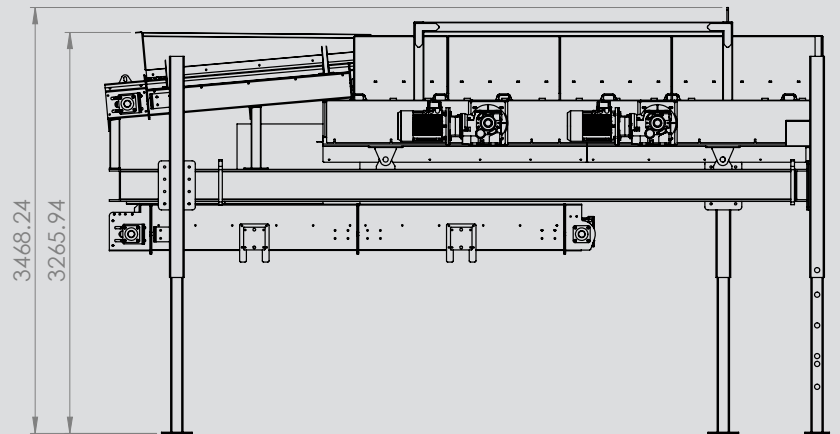
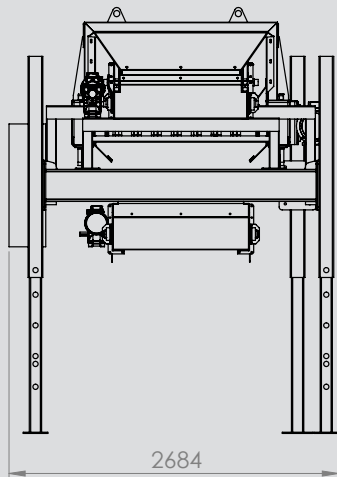
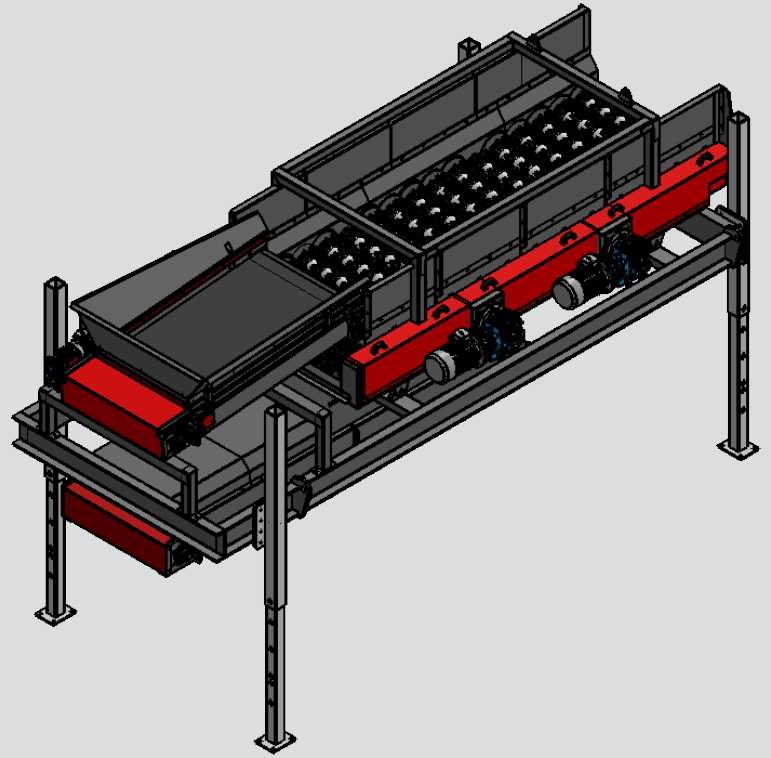
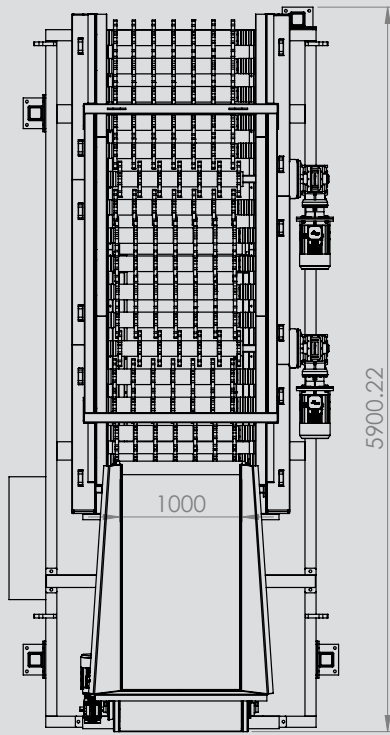
- Wood Chip
- Biomass
- Compost
- Green Waste
- Top Soil

### SCREENBOX AVAILABLE IN A RANGE OF SIZES



Quarry Road | Carrickmore  
Omagh | Co. Tyrone | N.I.  
T (UK) +44 (0)28 8076 1295  
T (USA) 347 630 9822  
info@ecohog.com  
ecohog.com

# TECHNICAL DATA



## SPECIFICATION

### Razorback Star ScreenBox RBS-1200

Weight | 8,000 kg (approx.)

Transport Length (5900mm)

Transport Height (2518mm)

Transport Width (2684mm)

Operating Length (5900mm)

Max Adjustable Operating Height (3468mm)

Operating Width (2684mm)

### Feed in conveyor

Belt Length (1920mm)

Belt Width (1000mm)

Belt Type: Plain rubber back

1x 5.5kW IP55 geared motor (VSD)

Optional Feed Boot

### Fines transfer conveyor

Belt Length (3700mm)

Belt Width (1000mm)

Belt Type: Plain rubber back

1x 4.0kW IP55 geared motor (DOL)

### Electrics

Manual start / stop of each motor

Motor disconnect switches for maintenance

Motor run and trip illumination on panel doors

Complete with pre start siren and dual channel Emergency Stop

### Power Supply Options

Mains

Diesel Generator

### UL Certification

All products supplied by Ecohog will be built to the highest specification and control panels will be UL Approved for the USA and Canadian markets.

