

# ECOHOOG®

## HM ECS-1500 Eddy Current Separator

In today's Recycling market waste processors are evolving their processing operations for better flexibility. The HogMag HM ECS-1500 Semi Mobile Hook Loader is the ideal plant solution for on-site movement featuring easy lift hook loader platform, diesel genset option, stock piling conveyor options and adjustable support legs. The unit can be quickly relocated saving waste processors considerable money on planning permission, permits and construction. Utilising an Eriez Eddy Current Separator and Magnetic Drum Separator the HM ECS-1500 offers high quality levels of non-ferrous and ferrous metal recovery.



### KEY FEATURES

- Flexible use – semi mobile
- 3 integrated stockpiling conveyors
- Adjustable stockpiling height
- Variable feed height
- Hydraulic adjustable legs
- High throughput
- Heavy duty abrasion resistant belts
- Energy efficient motors
- Sealed shell bearings
- Low maintenance
- Low energy
- Easily integrated with existing systems

### SUITABLE FOR

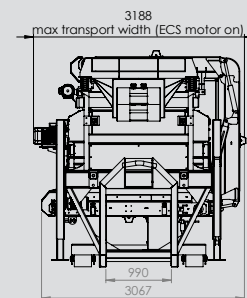
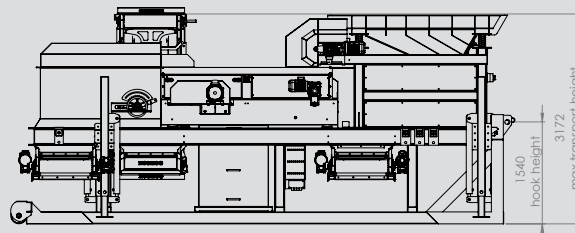
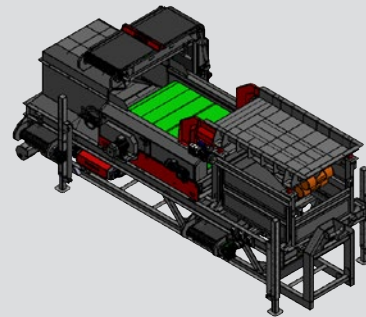
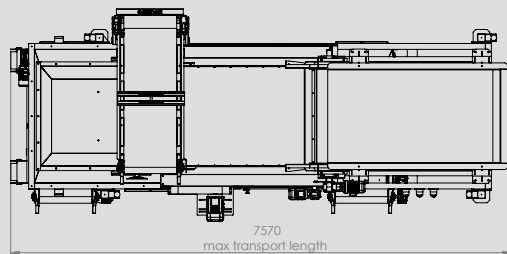
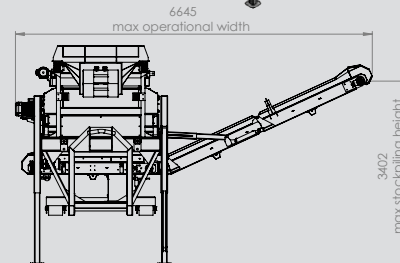
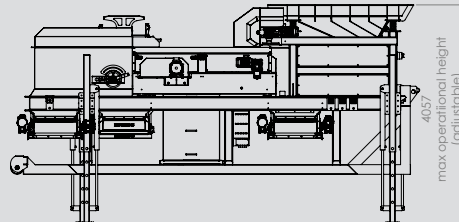
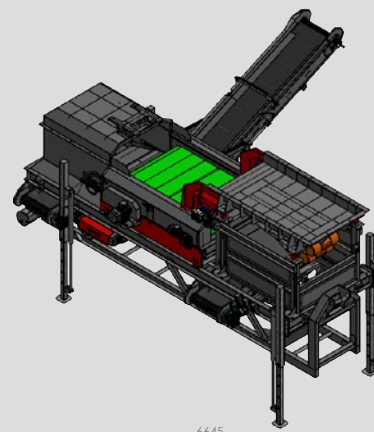
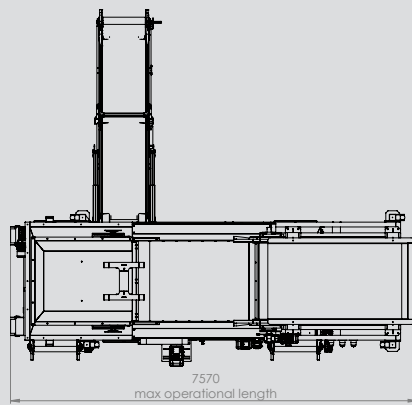
- Aluminium can recycling
- Scrap metal processing
- Brass / copper recovery
- Automotive fragment
- Wood processing
- Biomass
- Shredder material
- Municipal waste
- Incinerator slag
- Foundry Sand
- Glass (MRF) clean up
- Electronic Scrap (WEEE)
- Batteries
- C&I
- C&D

**ADDITIONAL OPTIONS  
INCLUDE ONBOARD  
GENERATOR, HYDRAULIC  
POWERPACK AND A  
RANGE OF CONTROL  
PACKAGES.**



Quarry Road | Carrickmore  
Omagh | Co. Tyrone | N.I.  
T (UK) +44 (0)28 8076 1295  
T (USA) 347 630 9822  
info@ecohog.com  
ecohog.com

# TECHNICAL DATA



## SPECIFICATION

### HM ECS-1500

Weight | 10,000kg (approx.)  
 Transport Length (7570mm)  
 Transport Height (3172mm)  
 Transport Width (3188mm)  
 Operational Length (7570mm)  
 Max Adjustable Operating Height (4057mm)  
 Max Operational Width (6645mm)

### Vibrating pan feeder

2 x 1.5kW vibrating motors  
 Pan Length (2500mm)  
 Pan Width (1500mm)

### Magnetic Drum

1 x 1.5kW IP55 geared motor  
 Drum Diameter (400mm)  
 Drum Length (1524mm)

### ECS

1 x 1.5kW belt motor  
 1 x 5.5kW rotor motor  
 ECS Length (2000mm)  
 ECS Width (1500mm)

### Stockpiling Conveyor 1

(Ferrous Discharge)

1 x 4.0kW IP55 geared motor  
 Belt Length (2200mm)  
 Belt Width (800mm)

### Stockpiling Conveyor 2

(Residual Discharge)

1 x 4.0kW IP55 geared motor  
 Belt Length (6200mm)  
 Belt Width (800mm)

### Stockpiling Conveyor 3

(Non-Ferrous Discharge)

1 x 4.0kW IP55 geared motor  
 Belt Length (2200mm)  
 Belt Width (800mm)

### Electrics

Manual start/stop of each motor  
 Motor disconnect switches for maintenance  
 Motor run & trip illumination on panel doors  
 Complete with pre-start siren and dual channel emergency stop

### Power Supply

Mains / Optional Diesel Generator

### Hydraulics

On board control lever bank for raising and lowering unit and folding conveyor

### UL Certifications

All products supplied by Echog will be built to the highest specification and control panels will be UL approved for the USA and Canadian markets.

